

H₂home[®]

NFPA 13D PUMP & TANK SYSTEM



Designed & built specifically to meet NFPA 13D requirements, the H2hOme[®] is everything you need to provide required pressure & flow to a residential fire sprinkler system in a sleek, all-in-one package. As with all of our 13D pump & tank systems, the H2hOme[®] comes standard with a stainless steel pump and all non-ferrous components to protect against corrosion and ensure longevity. Additionally, this is the only stand-alone system on the market with an easily removable slide-out pump. Created with contractors in mind, our 29" slim tank can be carried through any typical doorway - with reduced weight when the pump is removed. The H2hOme[®] also includes a riser manifold kit making installation even easier. A control panel can be added with indicator lights, alarm functionality and a simple "push-to-test" button. The H2hOme[®] is quite simply the most efficient, reliable and easiest to install pump & tank system available - backed by the best customer service & technical support in the fire sprinkler industry.

- All-In-One Unit With Small Footprint
- 29" Wide/425 Gallon Narrow Water Tank
- Removable Stainless Steel Pump
- All Non Ferrous Components
- Designed & Built For Fast Installation
- Riser Manifold Kit Included
- Advanced Control Panel (Optional)
- Lifetime Customer Service & Tech Support

Model	Pump Motor					Tank Size (gal)	Dimensions (in)		
	HP	PH	HZ	Volts	Amp Draw		L	W	H
H2H425-E01	¾	Single	60	240	5.2	425	68	29	76
H2H425-E03	1½	Single	60	240	9.1	425	68	29	76
H2H425-A04	2	Single	60	240	11.2	425	68	29	76
H2H425-A06	3	Single	60	240	12.8	425	68	29	76

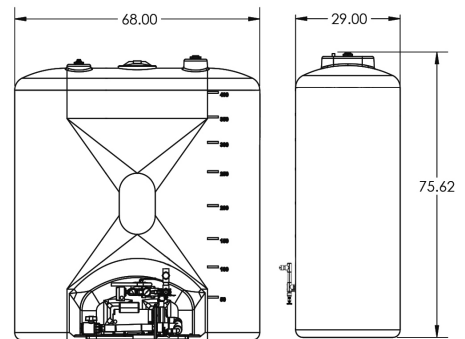
Optional Accessories:



Control Panel: The optional control panel puts the functionality of the H2hOme[®] at your fingertips. Visual displays for the unit's status are present as well as a simple push-button to test the functionality of the pump.



Alarm: The horn/strobe will alert in the event of system activation. Includes a 30' power cord and can be wall mounted anywhere in the home. System must include the control panel for alarm function.



WARNING: Cancer and Reproductive Harm - www.p65warnings.ca.gov

H₂home[®]

NFPA 13D PUMP & TANK SYSTEM



H2H425-E01 Performance				
GPM	20	25	30	35
PSI	26	24	21	18

H2H425-E03 Performance				
GPM	20	25	30	35
PSI	48	45	39	34

H2H425-A04 Performance										
GPM	0	20	25	30	35	40	45	50	55	60
PSI	64	57	55	52	49	46	43	39	36	33

H2H425-A06 Performance										
GPM	0	20	25	30	35	40	45	50	55	60
PSI	75	68	65	63	60	58	55	51	48	45