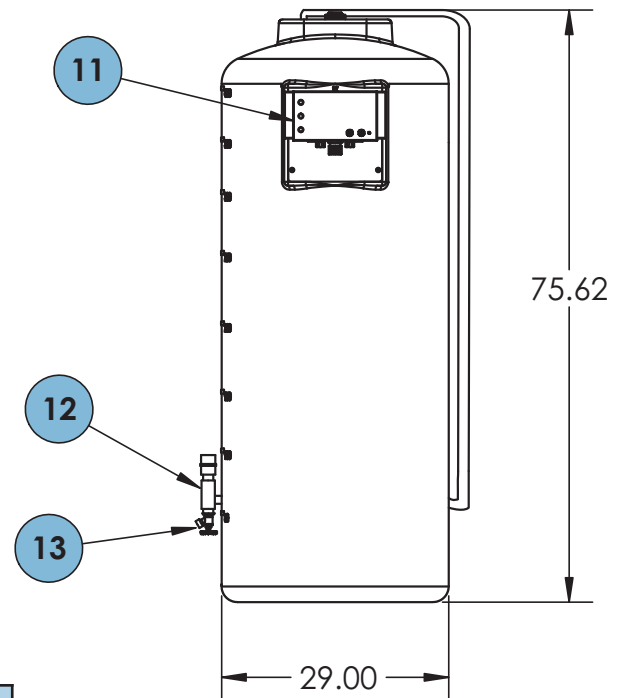
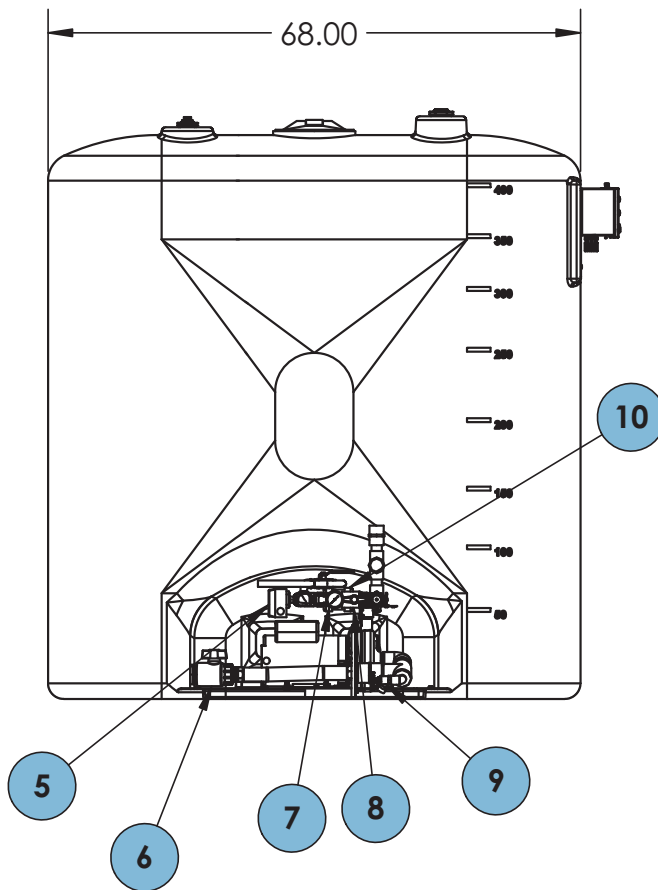
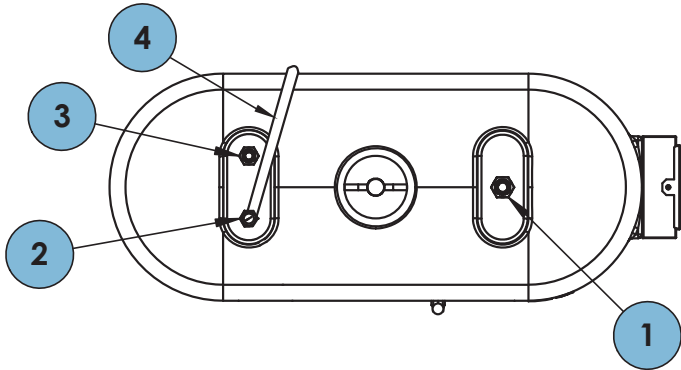


| MODEL | PUMP MOTOR | | | | |
|------------|------------|----|----|-------|------|
| | HP | PH | HZ | Volts | Amps |
| H2H425-E01 | ¾ | 1 | 60 | 240 | 5.2 |

| ITEM # | DESCRIPTION |
|--------|--|
| 1 | 1-1/2" BULKHEAD FOR FILL W/FLOAT VALVE |
| 2 | 1/2" BULKHEAD FOR TEST LINE |
| 3 | 3/4" BULKHEAD FOR OVERFLOW |
| 4 | TEST LINE |
| 5 | PRESSURE SWITCH |
| 6 | SUCTION SHUT-OFF VALVE |
| 7 | PRESSURE GAUGE |
| 8 | DISCHARGE SHUT-OFF VALVE |
| 9 | TANK DRAIN |
| 10 | DISCHARGE CHECK VALVE |
| 11 | CONTROL PANEL (OPTIONAL) |
| 12 | RISER MANIFOLD |
| 13 | SYSTEM DRAIN |



| PERFORMANCE | | | | |
|-------------|----|----|----|----|
| GPM | 20 | 25 | 30 | 35 |
| PSI | 26 | 24 | 21 | 18 |